

ACTION man

SPECIAL OPERATIONS TENT

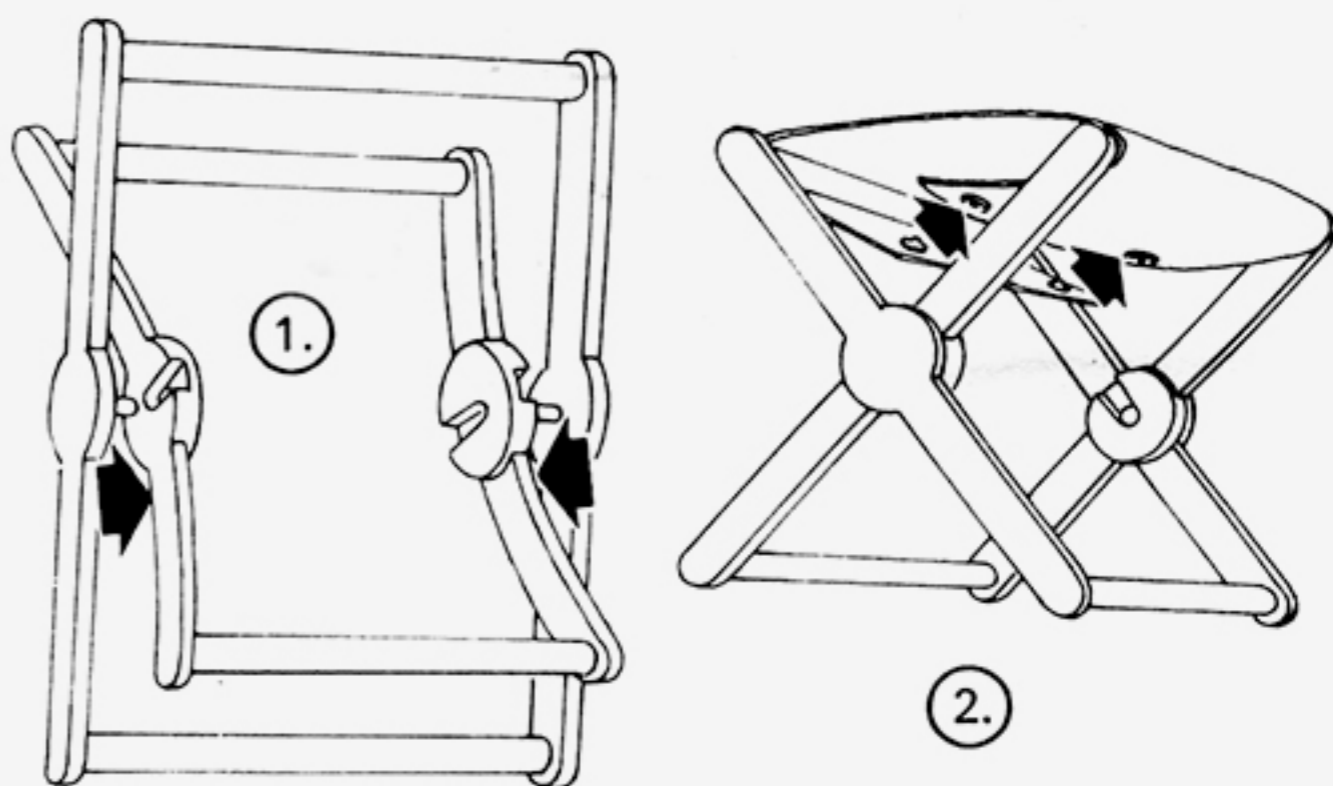
INSTRUCTIONS

Your Special Operations Tent has come to you in kit form. First separate all the parts and clean them up by removing the "flash" (excess plastic material). If you have difficulty in assembling the seat or table, first remove "flash" from the relevant parts, e.g. the four small bars on the table top where the legs fit.

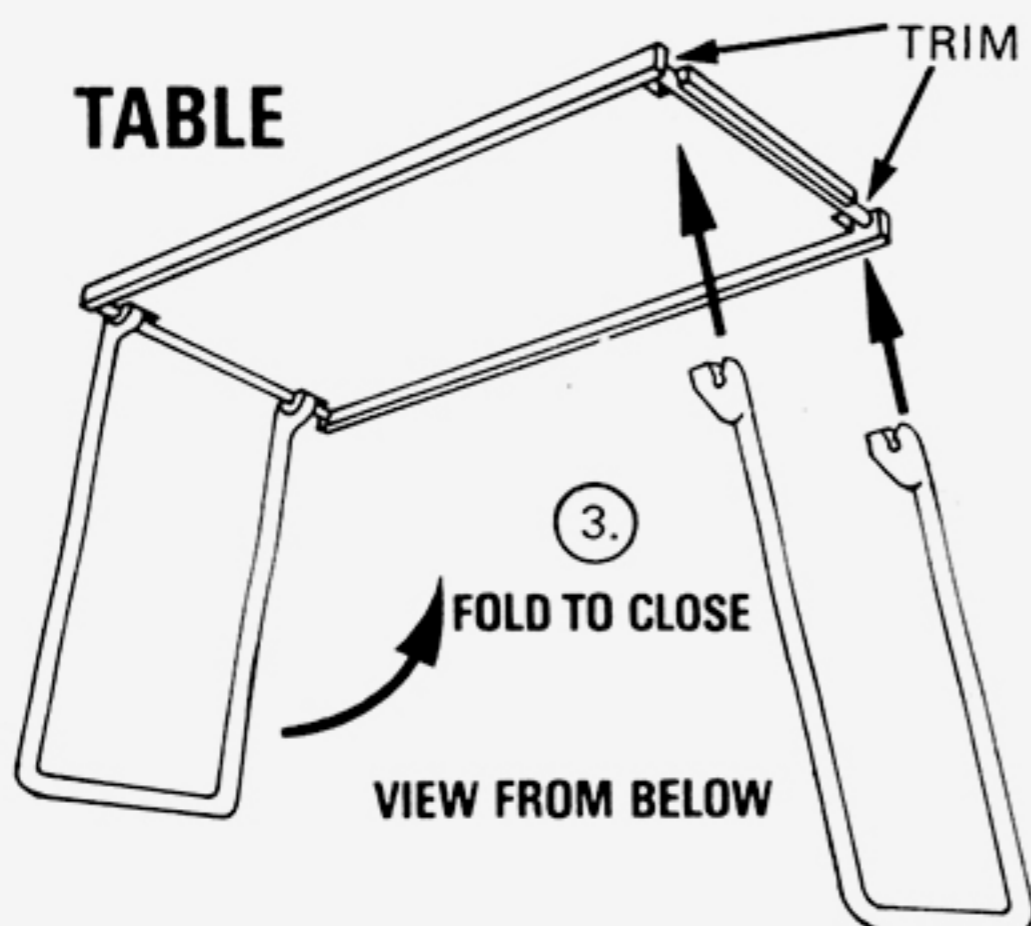
SEAT

With the narrow set of legs inside the wider set squeeze it in, as shown in illustration 1, and join both sets together by pressing the pips on one into the holes on the other.

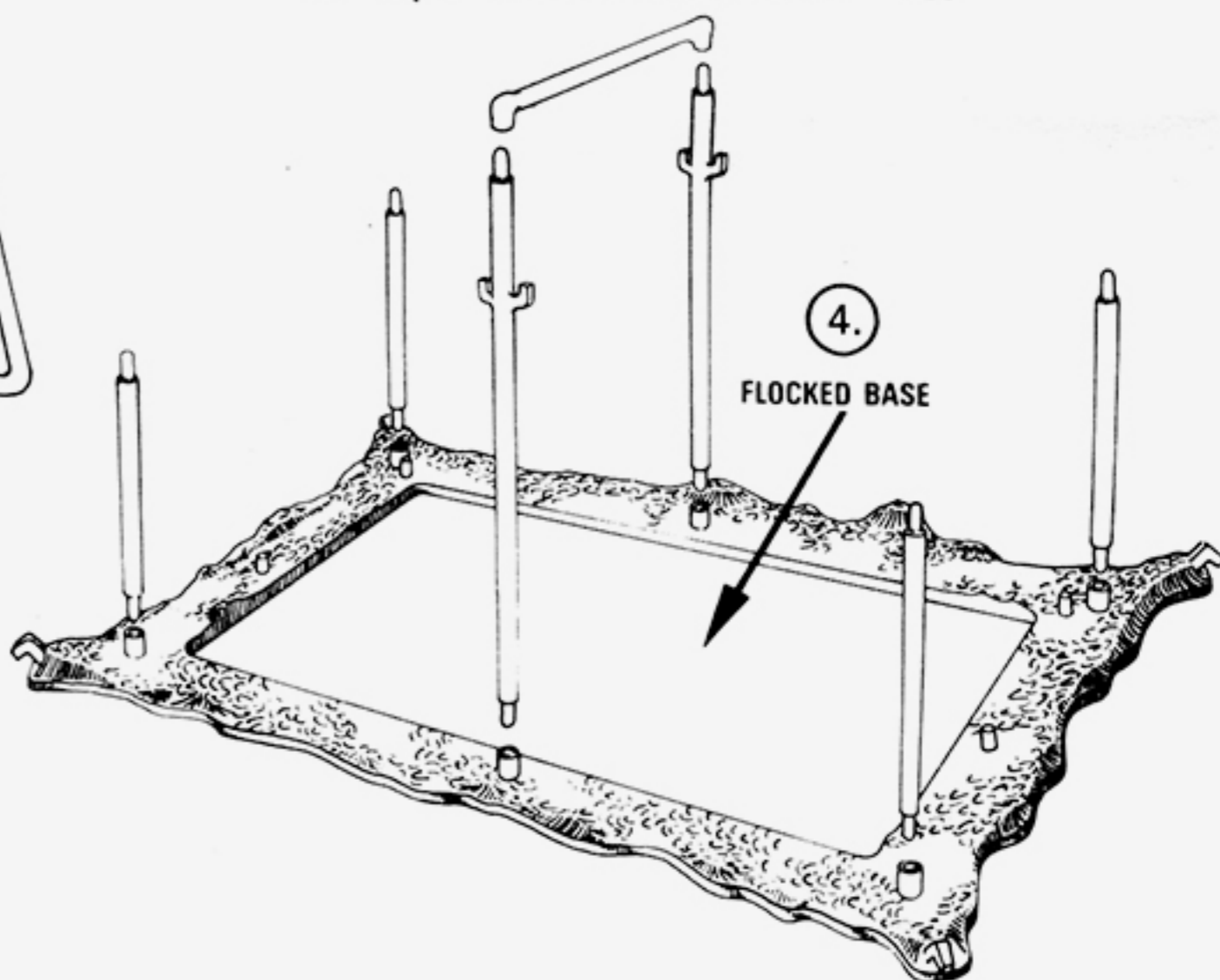
Fold fabric seat top around the two bars on the legs and complete by fastening the two studs, as shown in illustration 2.



TABLE

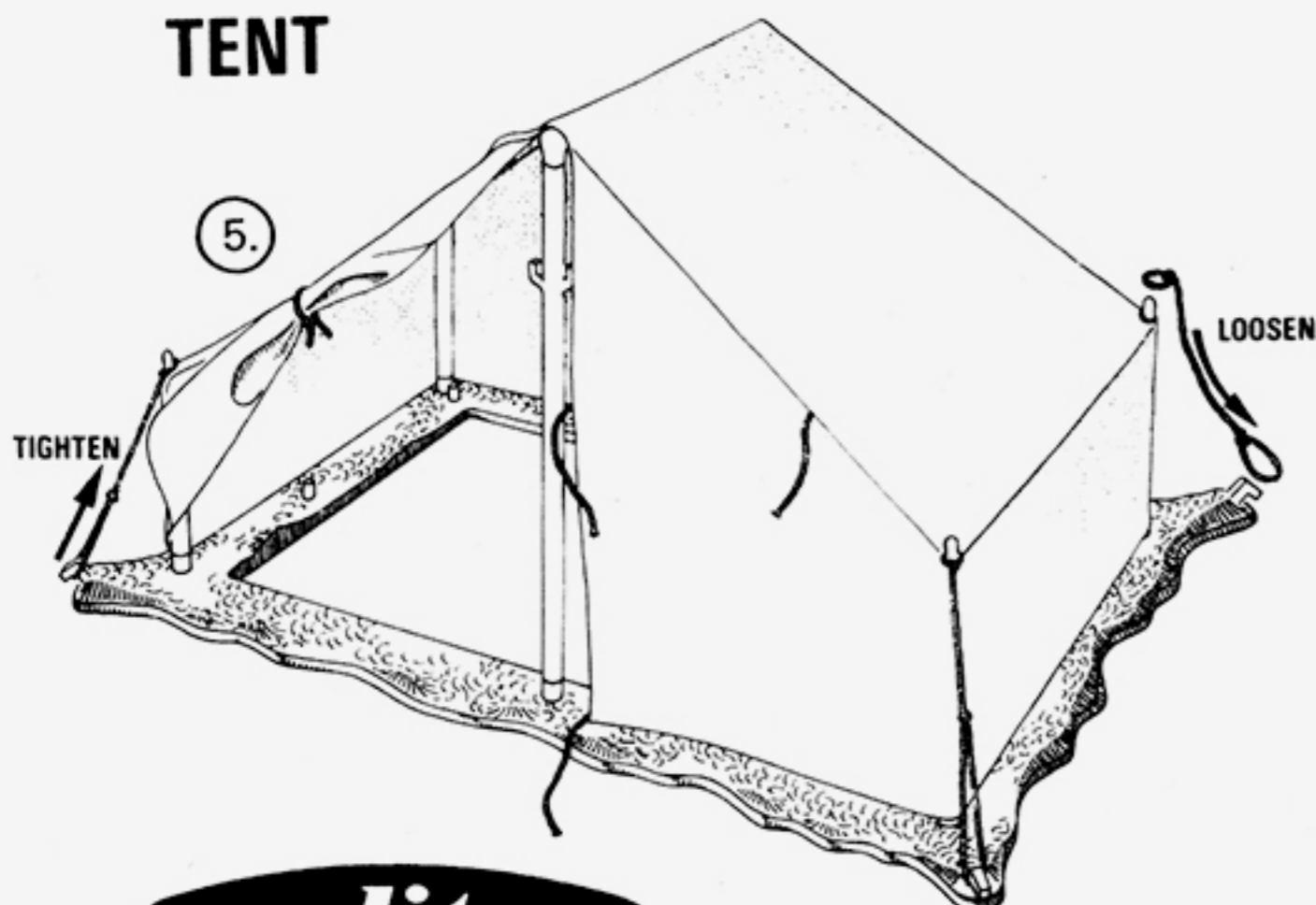


To assemble the table push the open ended parts of the legs onto the round sections on the top. Do make sure however that you push the wider legs into the widest holes and that the straight sides of the open ends face the inside of the table. To close the table for storage purpose, fold the legs into the top as shown in illustration 3.



To pitch your Special Operations tent first place the flocked base in position indicated in illustration 4, and then locate the four small poles in the holes provided on the corners of the base. Next place the two larger poles with the pegs at the top in the holes in the centre of the base. The cross pole is located on top of these two poles.

TENT



Four studs are provided on the base for locating the bunk bed (Cat. No. 34221 not provided). Place the tent over all the poles allowing the tops of the smaller poles to poke through the eyelets. Now place the rings of the guy ropes over the tops of the small poles and the loops over the tent pegs on the base. The tent is pulled tight by means of the slip knots on the guy ropes, see illustration 5. Now that you have pitched your tent it is ready for Action Man. Close your tent by tying the four ropes on the flaps or open it by rolling one or both of the flaps and tying it using the ropes on the folds.

palitoy

Palitoy Ltd., Coalville, Leicester, England.