

## DESERT PATROL ATTACK JEEP

### TO ASSEMBLE MOUNTED MACHINE GUN:

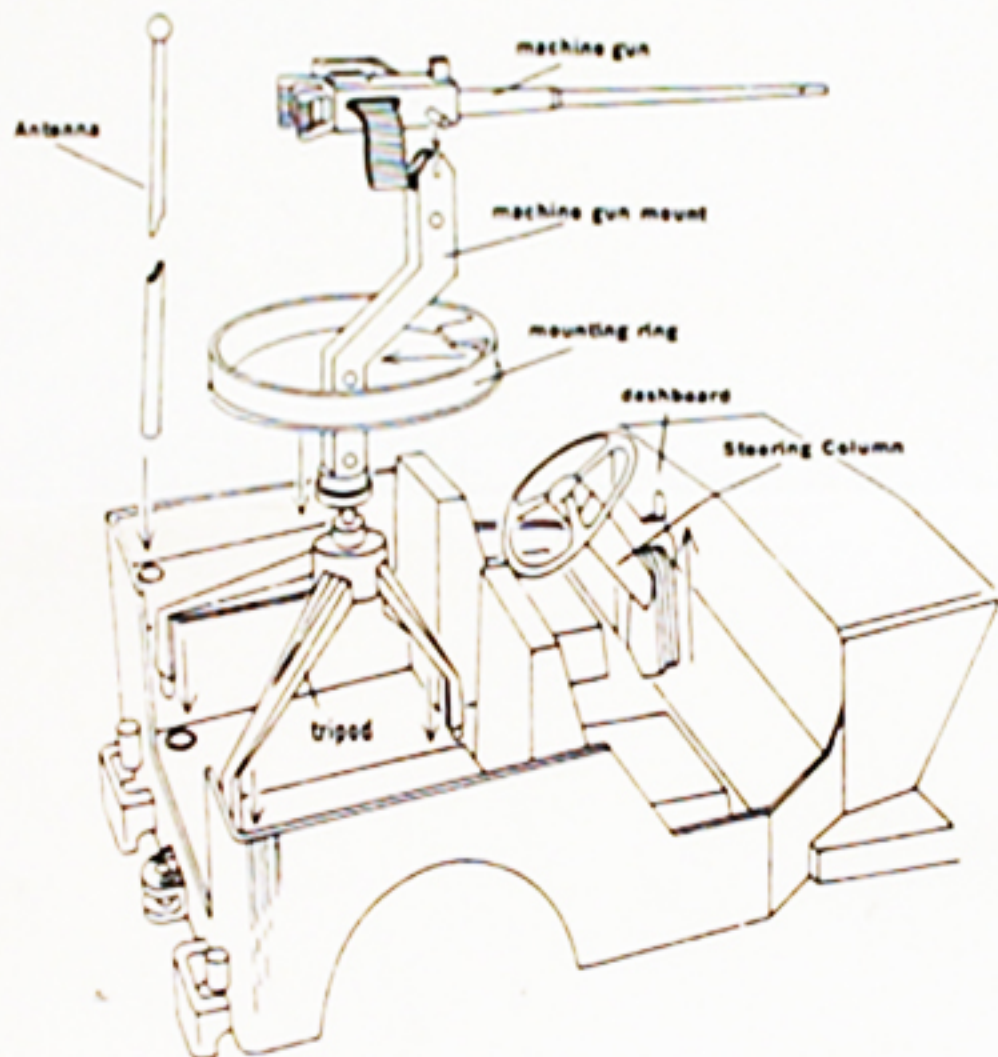
1. Place tripod in Jeep, as shown in illustration.
2. Place machine gun mount on tripod, as shown in illustration.
3. Slip mounting ring over machine gun mount and insert tab into slot, as shown in illustration.
4. Place machine gun on machine gun mount.

### ASSEMBLE STEERING COLUMN:

1. The Steering Column snaps into the dashboard, as shown in illustration.

### ANTENNA:

1. The plastic Antenna fits into hole on rear deck of Jeep. See illustration.



### SPARE TIRE:

1. Spare Tire can be mounted on tailgate, or on right side of Jeep. Unscrew bolt from tire to switch position of spare tire.

### TAILGATE:

1. Tailgate can be lowered by pushing tailgate locks in toward each other.

### G. I. JOE®



1. When you dress your G. I. Joe® Desert Fighter, you can place him inside the mounting ring behind the machine gun, or in the driver's seat of the Jeep.